



Over and Under Shotgun Lightning, Standard and Magnum Models 12, 20, 28 Gauge and .410 Bore

SUPERPOSED™

IMPORTANT: When ordering, list part number, part name, gun gauge/caliber and serial number. Please specify grade.
Prices F.O.B. point of shipment — subject to change without notice. Prices effective January 1, 2013.

REF. NO.	PART NO.	DESCRIPTION	MSRP (US\$)
1	B1333004	BARREL PLATE SCREW	\$2.50
2	* B1333000	BARREL PLATE WOOD, 12, LEFT / RIGHT, (ROUGH)	8.75
2	* B1333001	BARREL PLATE WOOD, 20-28-410, LEFT / RIGHT, (ROUGH)	8.75
3	* BST1408011	BUTT PLATE, OVERSIZED	17.50
4	B1333008	BUTT PLATE SCREW (2 REQUIRED)	2.50
5	* B1333010	COCKING LEVER, 12 (ROUGH)	72.50
5	* B1333021	COCKING LEVER, 20-28-410 (ROUGH)	72.50
6	* B1333040	COCKING LEVER LIFTER, 12 (ROUGH)	21.25
6	* B1333051	COCKING LEVER LIFTER, 20-28-410 (ROUGH)	21.25
7	B1333060	COCKING LEVER LIFTER PIN, 12	3.75
7	B1333061	COCKING LEVER LIFTER PIN, 20-28-410	3.75
8	B1333030	COCKING LEVER PIN, 12, IT	6.25
8	B1333031	COCKING LEVER PIN, 20-28-410, IT	6.25
9	B1333037	COCKING LEVER PIN RETAINING SCREW	2.50
10	B1333036	COCKING LEVER PIN, 12, MT / SUPERLIGHT	6.25
10	B1333038	COCKING LEVER PIN, 20, MT / SUPERLIGHT	5.00
11	* B1333070	CONNECTOR, 12	23.75
11	* B1333071	CONNECTOR, 20-28-410	23.75
12	* B1330070	CONNECTOR, 12, MT	23.75
12	* B1330071	CONNECTOR, 20, MT	23.75
13	* B1330072	CONNECTOR SELECTOR, 12-20, MT	6.25
14	B1330075	CONNECTOR SELECTOR PIN, 12-20, MT	2.50
15	B1333074	CONNECTOR STOP PIN	2.50
16	* B1333106	EJECTOR EXTENSION, 12, LEFT	72.50
16	* B1333087	EJECTOR EXTENSION, 12, LEFT (NEW STYLE +89)	46.25
16	* B1333107	EJECTOR EXTENSION, 20-28-410, LEFT	46.25
17	* B1333102	EJECTOR EXTENSION, 12, RIGHT	72.50
17	* B1333086	EJECTOR EXTENSION, 12, RIGHT (NEW STYLE +89)	46.25
17	* B1333103	EJECTOR EXTENSION, 20-28-410, RIGHT	46.25
18	B1333110	EJECTOR EXTENSION STOP PIN	2.50
19	B1333124	EJECTOR HAMMER, 12, LEFT	67.50
19	B1333125	EJECTOR HAMMER, 20-28-410, LEFT	67.50
20	B1333128	EJECTOR HAMMER PIN, 12	2.50
20	B1333129	EJECTOR HAMMER PIN, 20-28-410	2.50
21	B1333120	EJECTOR HAMMER, 12, RIGHT	67.50
21	B1333121	EJECTOR HAMMER, 20-28-410, RIGHT	67.50
22	B1333136	EJECTOR HAMMER SEAR	7.50
23	B1333140	EJECTOR HAMMER SEAR PIN	2.50
24	B1333138	EJECTOR HAMMER SEAR SPRING	3.75
25	B1333130	EJECTOR HAMMER SPRING, 12	3.75
25	B1333131	EJECTOR HAMMER SPRING, 20-28-410	3.75
26	B1333132	EJECTOR HAMMER SPRING GUIDE	5.00
27	* B1333082	EJECTOR, 12, LEFT / RIGHT (ROUGH)	67.50
27	* B1333083	EJECTOR, 20, LEFT / RIGHT (ROUGH)	67.50
27	* B1333088	EJECTOR, 28, LEFT / RIGHT (ROUGH)	67.50
27	* B1333089	EJECTOR, 410, LEFT / RIGHT (ROUGH)	67.50
27	* B1333084	EJECTOR, 12, LEFT / RIGHT (NEW STYLE +89)	67.50
28	* B1333146	EJECTOR TRIP ROD, 12, LEFT	37.50
28	* B1333147	EJECTOR TRIP ROD, 20-28-410, LEFT	37.50

REF. NO.	PART NO.	DESCRIPTION	MSRP (US\$)
29	* B1333142	EJECTOR TRIP ROD, 12, RIGHT	\$37.50
29	* B1333143	EJECTOR TRIP ROD, 20-28-410, RIGHT	37.50
30	* B1333148	FIRING PIN, 12, OVER	15.00
30	* B1333150	FIRING PIN, 20-28-410, OVER	15.00
31	B1333168	FIRING PIN RETAINING PIN, 12	3.75
31	B1333169	FIRING PIN RETAINING PIN, 20-28-410	3.75
32	B1333164	FIRING PIN SPRING, 12, UNDER	2.50
32	B1333165	FIRING PIN SPRING, 20-28-410, UNDER	2.50
33	* B1333157	FIRING PIN, 12, UNDER	15.00
33	* B1333159	FIRING PIN, 20-28-410, UNDER	15.00
34	* B1333242	FOREARM BRACKET, 12 (ROUGH)	215.00
35	* B1330242	FOREARM BRACKET, 12 (ROUGH)	215.00
34/35	* B1333251	FOREARM BRACKET, 20-28-410 (ROUGH)	215.00
36	B1330243	FOREARM BRACKET STOP BLOCK, 12	11.25
36	B1330252	FOREARM BRACKET STOP BLOCK, 20	11.25
37	B1333237	FOREARM END PIECE, 12, BEAVERTAIL	13.75
37A	B1333226	FOREARM END PIECE SCREW, 12, BEAVERTAIL	8.75
37	B1333239	FOREARM END PIECE, 20, BEAVERTAIL	13.75
37	B1333240	FOREARM END PIECE, 28, BEAVERTAIL	13.75
37	B1333241	FOREARM END PIECE, 410, BEAVERTAIL	13.75
37A	B1333229	FOREARM END PIECE SCREW, 20-28-410, BEAVERTAIL	5.50
NS	B1333218	FOREARM ESCUTCHEON, 12, THREADED	10.00
NS	B1333219	FOREARM ESCUTCHEON, 20-28-410, THREADED	10.00
NS	B1333222	FOREARM ESCUTCHEON, 12, UNTHREADED	10.00
NS	B1333225	FOREARM ESCUTCHEON, 20-28-410, UNTHREADED	10.00
38	B1330247	FOREARM RETAINING CLAMP, 12	12.50
38	B1330249	FOREARM RETAINING CLAMP, 20	12.50
39	B1330254	FOREARM RETAINING CLAMP SCREW, 12-20	8.75
NS	* B1333230	FOREARM SCREW, 12, FIELD (CROSSBOLT TYPE)	11.25
NS	* B1333234	FOREARM SCREW, 12, SEMI-BEAVERTAIL (CROSSBOLT TYPE)	11.25
NS	* B1333226	FOREARM SCREW, BEAVERTAIL	8.75
40	B1330245	FOREARM STOP BLOCK RETAINING SCREW, 12	11.25
40	B1330246	FOREARM STOP BLOCK RETAINING SCREW, 20	11.25
NS	* B1333R91	FOREARM, 12, BEAVERTAIL, END PIECE TYPE, GR I, IT (UNFINISHED)	600.00
NS	* B1333R90	FOREARM, 12, LIGHTNING, CROSS BOLT TYPE, GR I, IT (UNFINISHED)	600.00
NS	* B1333173	FOREARM, 12, SUPERLIGHT, CROSS BOLT TYPE, GR I, IT (UNFINISHED)	600.00
41	* B1330R91	FOREARM, 12, BEAVERTAIL, CLAMP TYPE, GR I, MT (UNFINISHED)	600.00
41	* B1330190	FOREARM, 12, LIGHTNING, CLAMP TYPE, GR I, MT	600.00
41	* B1330171	FOREARM, 12, SUPERLIGHT, CLAMP TYPE, GR I, MT	600.00
NS	* B1333182	FOREARM, 20, BEAVERTAIL, END PIECE TYPE, GR I, IT	600.00
NS	* B1333R81	FOREARM, 20, LIGHTNING, CROSS BOLT TYPE, GR I, IT (UNFINISHED)	600.00

*Indicates part must be fitted by Browning Service Department or qualified gunsmith.

***Factory replacement only. Firearm must be returned.

+Part may be purchased only by holders of a current, valid Federal Firearms License.

NOTE: Unless otherwise indicated, part is interchangeable between gauges/calibers.

IT denotes Inertial Trigger. MT denotes Mechanical Trigger.



Over and Under Shotgun Lightning, Standard and Magnum Models 12, 20, 28 Gauge and .410 Bore

SUPERPOSED™

IMPORTANT: When ordering, list part number, part name, gun gauge/caliber and serial number. Please specify grade.
Prices F.O.B. point of shipment — subject to change without notice. Prices effective January 1, 2013.

REF. NO.	PART NO.	DESCRIPTION	MSRP (US\$)
NS	* B1333223	FOREARM, 20, SUPERLIGHT, CROSS BOLT TYPE, GR I, IT	\$600.00
41	* B1330182	FOREARM, 20, BEAVERTAIL, CLAMP TYPE, GR I, MT	600.00
41	* B1330R81	FOREARM, 20, LIGHTNING, CLAMP TYPE, GR I, MT (UNFINISHED)	600.00
41	* B1330224	FOREARM, 20, SUPERLIGHT, CLAMP TYPE, GR I, MT	600.00
NS	* B1333208	FOREARM, 28, BEAVERTAIL, END PIECE TYPE, GR I, IT	600.00
NS	* B1333R07	FOREARM, 28, LIGHTNING, CROSS BOLT TYPE, GR I, IT (UNFINISHED)	600.00
41	* B1330208	FOREARM, 28, BEAVERTAIL, CLAMP TYPE, GR I, MT	600.00
NS	* B1333210	FOREARM, 410, BEAVERTAIL, END PIECE TYPE, GR I, IT	600.00
NS	* B1333R09	FOREARM, 410, LIGHTNING, CROSS BOLT TYPE, GR I, IT (UNFINISHED)	600.00
41	* B1330210	FOREARM, 410, BEAVERTAIL, CLAMP TYPE, GR I, MT	600.00
42	* B1333264	HAMMER, 12, LEFT, IT	42.50
42	* B1333265	HAMMER, 20-28-410, LEFT, IT	42.50
43	* B1330264	HAMMER, 12, LEFT, MT	42.50
43	* B1330265	HAMMER, 20, LEFT, MT	42.50
44	B1333268	HAMMER PIN, 12	2.50
44	B1333269	HAMMER PIN, 20-28-410	2.50
45	* B1333260	HAMMER, 12, RIGHT, IT	42.50
45	* B1333261	HAMMER, 20-28-410, RIGHT, IT	42.50
46	* B1330260	HAMMER, 12, RIGHT, MT	42.50
46	* B1330261	HAMMER, 20, RIGHT, MT	42.50
47	B1333272	INERTIA BLOCK, 12, IT	26.25
47	B1333273	INERTIA BLOCK, 20-28-410, IT	26.25
48	B1330272	INERTIA BLOCK, 12, MT	26.25
48	B1330273	INERTIA BLOCK, 20, MT	26.25
49	B1330274	INERTIA BLOCK PIN, 12-20, MT	2.50
50	B1333279	INERTIA BLOCK RETAINING PIN, 20-28-410	2.50
51	B1330276	INTERIA BLOCK SPRING, 12-20, MT	2.50
52	B1333276	INTERIA BLOCK SPRING, 12-20-28-410, IT	2.50
53	B1330278	INTERIA BLOCK SPRING GUIDE, 12-20, MT	2.50
54	B1333278	INTERIA BLOCK SPRING GUIDE, 12-20-28-410, IT	2.50
NS	B1333282	JOINT PIN, 12	17.50
NS	B1333283	JOINT PIN, 20	20.00
55	* B1333290	LOCKING BOLT, 12, IT	55.00
55	* B1333291	LOCKING BOLT, 20-28-410, IT	55.00
56	* B1330290	LOCKING BOLT, 12, MT	55.00
56	* B1330291	LOCKING BOLT, 20, MT	55.00
57	B1333296	MAINSRING GUIDE	6.25
58	B1333294	MAINSRING, 12-20-28-410, IT	3.75
59	B1330294	MAINSRING, 12, MT	3.75
59	B1330293	MAINSRING, 20, MT	3.75
60	* B1330297	SAFETY SPRING, 12-20, MT (PIN RETAINED TYPE)	3.75
61	B1330298	SAFETY SPRING PIN, 12-20, MT	2.50
NS	B1330299	SAFETY SPRING SCREW, 12-20, MT (ORIGINAL STYLE)	2.50
62	* B1333322	SEAR, 12, LEFT, IT	27.50

REF. NO.	PART NO.	DESCRIPTION	MSRP (US\$)
62	* B1333323	SEAR, 20-28-410, LEFT, IT	\$27.50
63	* B1330322	SEAR, 12, LEFT, MT	27.50
63	* B1330323	SEAR, 20, LEFT, MT	27.50
64	B1333328	SEAR PIN, 12	2.50
64	B1333329	SEAR PIN, 20-28-410	2.50
65	* B1333320	SEAR, 12, RIGHT, IT	27.50
65	* B1333321	SEAR, 20-28-410, RIGHT, IT	27.50
66	* B1330320	SEAR, 12, RIGHT, MT	27.50
66	* B1330321	SEAR, 20, RIGHT, MT	27.50
67	B1333324	SEAR SPRING, 12	2.50
67	B1333325	SEAR SPRING, 20-28-410	2.50
68	B1330310	SELECTOR BLOCK, 12-20, MT	10.00
69	B1333310	SELECTOR BLOCK, 12-20-28-410, IT	10.00
70	B1330314	SELECTOR BLOCK SPRING, 12-20, MT	2.50
71	B1330315	SELECTOR BLOCK SPRING PLUNGER, 12-20, MT	2.50
72	* B1330300	SELECTOR SAFETY, 12-20, MT	67.50
73	* B1333300	SELECTOR SAFETY, 12-20-28-410, IT	67.50
74	B1330301	SELECTOR / SAFETY SPRING RETAINING PIN, 12-20, MT	2.50
75	B1333312	SELECTOR SPRING	5.00
76	B1333332	SIGHT BEAD	5.00
77	BST1435001	STOCK BOLT	11.25
78	BST1435401	STOCK BOLT LOCK WASHER	2.50
79	BST1435801	STOCK BOLT WASHER	3.75
80	* B1330335	STOCK, 12, FIELD, U-INLET, FLAT KNOB, LONG TANG (NO FINISH - W/ PAD)	800.00
80	* B1330343	STOCK, 12, FIELD, U-INLET, FLAT KNOB, LONG TANG (NO FINISH - W/ PLATE)	800.00
80	* B1333335	STOCK, 12, FIELD, U-INLET, FLAT KNOB, SHORT TANG (NO FINISH - W/ PAD)	800.00
80	* B1333R43	STOCK, 12, LIGHTNING, U-INLET, ROUND KNOB, SHORT TANG (NO FINISH - W/ PLATE)	800.00
80	* B1333R42	STOCK, 12, LIGHTNING, Y-INLET, ROUND KNOB, LONG TANG (NO FINISH - W/ PLATE)	800.00
80	* B1330333	STOCK, 12, SKEET, U-INLET, FLAT KNOB, LONG TANG (NO FINISH - W/ PAD)	800.00
80	* B1330334	STOCK, 12, SKEET, U-INLET, FLAT KNOB, LONG TANG (NO FINISH - W/ PLATE)	800.00
80	* B1333R34	STOCK, 12, SKEET, U-INLET, FLAT KNOB, SHORT TANG (NO FINISH - W/ PLATE)	800.00
80	* B1333353	STOCK, 12, SUPERLIGHT, U-INLET, SHORT TANG (NO FINISH - W/ PLATE)	800.00
80	* B1330369	STOCK, 12, TRAP, U-INLET, FLAT KNOB, LONG TANG (NO FINISH - W/ PAD)	800.00
80	* B1330379	STOCK, 12, TRAP, U-INLET, FLAT KNOB, LONG TANG (NO FINISH - W/ PLATE)	800.00
80	* B1333R79	STOCK, 12, TRAP, U-INLET, FLAT KNOB, SHORT TANG (NO FINISH - NO PAD - NO PLATE)	800.00
80	* B1333374	STOCK, 12, TRAP, Y-INLET, FLAT KNOB, LONG TANG (FINISHED - W/ PLATE)	800.00
80	* B1333R84	STOCK, 12, TRAP, Y-INLET, FLAT KNOB, LONG TANG (NO FINISH - W/ PAD)	800.00
80	* B1330356	STOCK, 20-28-410, FIELD, U-INLET, FLAT KNOB, LONG TANG (NO FINISH - W/ PLATE)	800.00
80	* B1333355	STOCK, 20-28-410, FIELD, Y-INLET, FLAT KNOB, LONG TANG (FINISHED - W/ PLATE)	800.00

*Indicates part must be fitted by Browning Service Department or qualified gunsmith.

***Factory replacement only. Firearm must be returned.

+Part may be purchased only by holders of a current, valid Federal Firearms License.

NOTE: Unless otherwise indicated, part is interchangeable between gauges/calibers.

IT denotes Inertial Trigger. MT denotes Mechanical Trigger.



Over and Under Shotgun Lightning, Standard and Magnum Models 12, 20, 28 Gauge and .410 Bore

SUPERPOSED™

IMPORTANT: When ordering, list part number, part name, gun gauge/caliber and serial number. Please specify grade.
Prices F.O.B. point of shipment — subject to change without notice. Prices effective January 1, 2013.

REF. NO.	PART NO.	DESCRIPTION	MSRP (US\$)
80	* B1333R56	STOCK, 20-28-410, LIGHTNING, U-INLET, ROUND KNOB, SHORT TANG (NO FINISH - W/ PLATE)	\$800.00
80	* B1333R06	STOCK, 20-28-410, LIGHTNING, Y-INLET, ROUND KNOB, LONG TANG (NO FINISH - W/ PLATE)	800.00
80	* B1330352	STOCK, 20-28-410, SKEET, U-INLET, FLAT KNOB, LONG TANG (NO FINISH - W/ PAD)	800.00
80	* B1330354	STOCK, 20-28-410, SKEET, U-INLET, FLAT KNOB, LONG TANG (NO FINISH - W/ PLATE)	800.00
80	* B1333R54	STOCK, 20-28-410, SKEET, U-INLET, FLAT KNOB, SHORT TANG (NO FINISH - W/ PLATE)	800.00
81	* B1333392	TAKEDOWN LEVER, 12	42.50
81	* B1333401	TAKEDOWN LEVER, 20-28-410	42.50
82	* B1333414	TAKEDOWN LEVER LATCH, 12	26.25
82	* B1333423	TAKEDOWN LEVER LATCH, 20-28-410	26.25
83	B1333432	TAKEDOWN LEVER LATCH PIN, 12	2.50
83	B1333433	TAKEDOWN LEVER LATCH PIN, 20-28-410	2.50
84	B1333434	TAKEDOWN LEVER LATCH SPRING	2.50
85	B1333410	TAKEDOWN LEVER PIN, 12	2.50
85	B1333411	TAKEDOWN LEVER PIN, 20-28-410	2.50
86	B1333436	TANG PIECE, 12, IT	55.00
86	B1333437	TANG PIECE, 20-28-410, IT	55.00
87	B1330436	TANG PIECE, 12, MT	55.00
87	B1330437	TANG PIECE, 20-28-410, MT	55.00
88	B1333440	TANG PIECE SCREW, BOTTOM	2.50
89	B1333438	TANG PIECE SCREW, TOP	2.50
90	* B1333442	TOP LEVER, 12 (ROUGH)	90.00
90	* B1333449	TOP LEVER, 20-28-410 (ROUGH)	90.00
91	B1333468	TOP LEVER DOG, 12	26.25
91	B1333469	TOP LEVER, 20-28-410	26.25
92	B1333472	TOP LEVER DOG SCREW	2.50
93	B1333460	TOP LEVER SPRING	3.75

REF. NO.	PART NO.	DESCRIPTION	MSRP (US\$)
94	B1333463	TOP LEVER SPRING RETAINER	\$6.25
95	B1333466	TOP LEVER SPRING RETAINER SCREW	2.50
96	* B1333522	TRIGGER GUARD, 20-28-410, SHORT TANG, IT	181.25
96	* B1333501	TRIGGER GUARD, 12, SHORT TANG, IT	181.25
NS	* B1333519	TRIGGER GUARD, 12, SUPERLIGHT, IT	181.25
NS	* B1333520	TRIGGER GUARD, 20-28-410, SUPERLIGHT, IT	181.25
97	* B1330501	TRIGGER GUARD, 12, LONG TANG, MT (CAN BE MODIFIED TO FIT IT MODELS)	181.25
97	* B1330522	TRIGGER GUARD, 20-28-410, LONG TANG, MT (CAN BE MODIFIED TO FIT IT MODELS)	181.25
NS	B1333279	TRIGGER GUARD RETAINING PIN (FOR SHORT TANG TYPE)	2.50
98	* B1333535	TRIGGER GUARD SCREW ESCUTCHEON (BRASS INSERT)	2.50
99	* B1333533	TRIGGER GUARD SCREW, FRONT, MACHINE THREAD	3.75
100	* B1333534	TRIGGER GUARD SCREW, REAR, MACHINE THREAD	3.75
101	* B1333476	TRIGGER, 12, GOLD PLATED, IT	71.25
101	* B1333481	TRIGGER, 20-28-410, GOLD PLATED, IT	71.25
102	* B1330476	TRIGGER, 12, GOLD PLATED, MT	71.25
102	* B1330481	TRIGGER, 20-28-410, GOLD PLATED, MT	71.25
103	B1333488	TRIGGER PIN, 12	2.50
103	B1333489	TRIGGER PIN, 20-28-410	2.50
104	B1330492	TRIGGER PISTON, 12-20, MT	7.50
105	B1333492	TRIGGER PISTON, 12-20-28-410, IT	7.50
106	B1330493	TRIGGER PISTON PIN, 12-20, MT	2.50
107	B1333494	TRIGGER PISTON PIN, 12-20-28-410, IT	2.50
108	B1333496	TRIGGER PISTON SPRING, 12, IT	2.50
108	B1333498	TRIGGER PISTON SPRING, 20-28-410, IT	2.50
109	B1330496	TRIGGER PISTON SPRING, 12-20, MT	2.50
110	B1330482	TRIGGER SPRING, 12-20, MT	2.50

*Indicates part must be fitted by Browning Service Department or qualified gunsmith.

***Factory replacement only. Firearm must be returned.

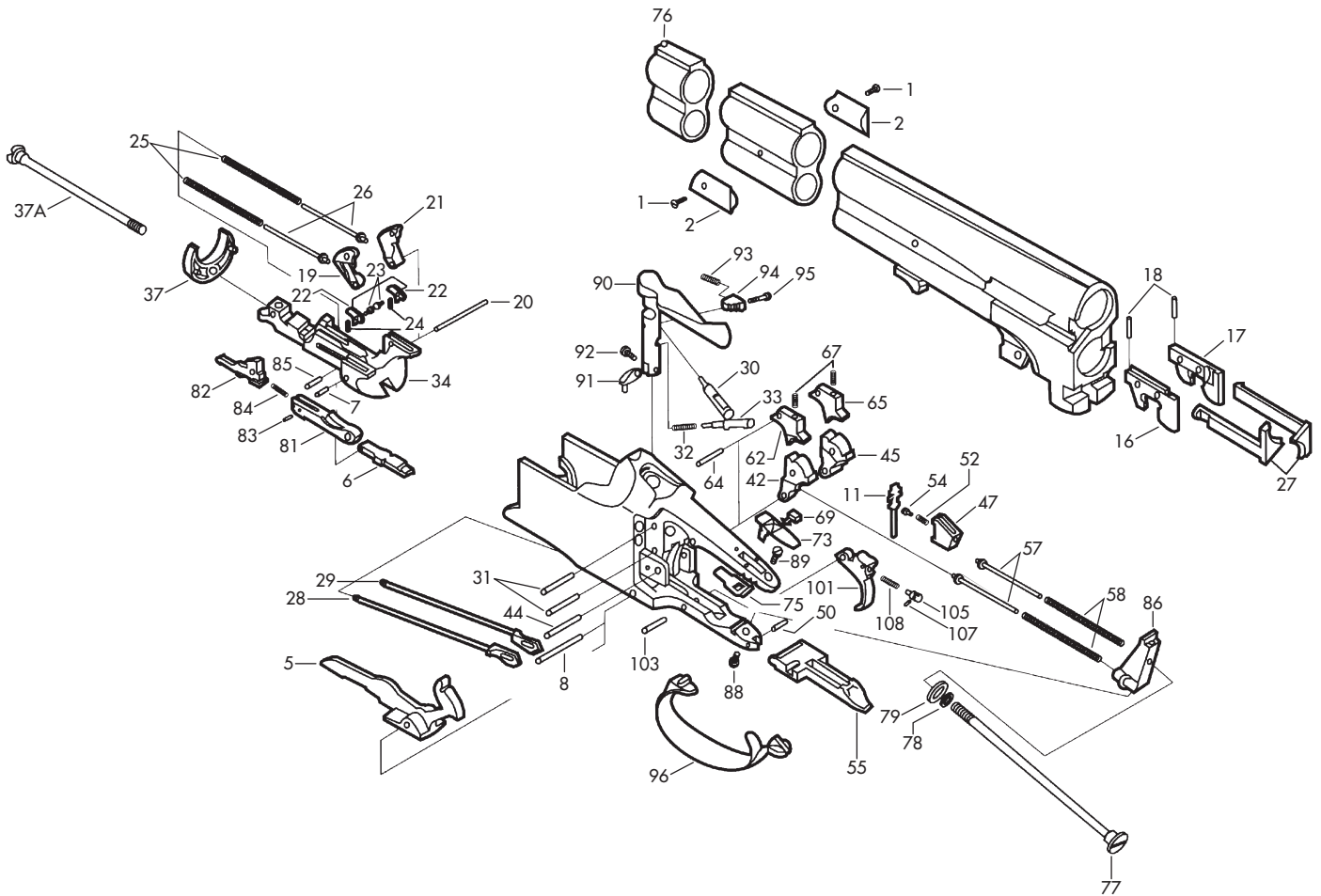
+Part may be purchased only by holders of a current, valid Federal Firearms License.

NOTE: Unless otherwise indicated, part is interchangeable between gauges/calibers.

IT denotes Inertial Trigger. MT denotes Mechanical Trigger.



NOTE: WHEN ORDERING PARTS USE THE PART NUMBER AND NOT THE SCHEMATIC REFERENCE NUMBER.



Schematic is provided for parts identification only and should not be used as a guide to assemble guns.
CAUTION: Browning parts are not recommended for use in other guns though models may be similar. Inadequately fitted parts may be dangerous.

